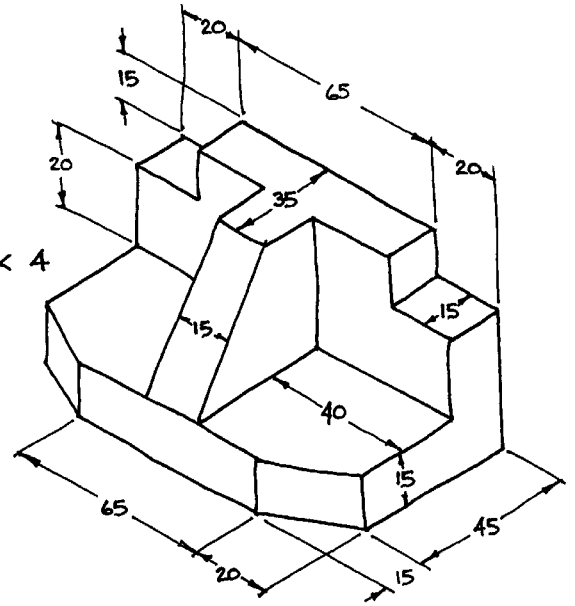


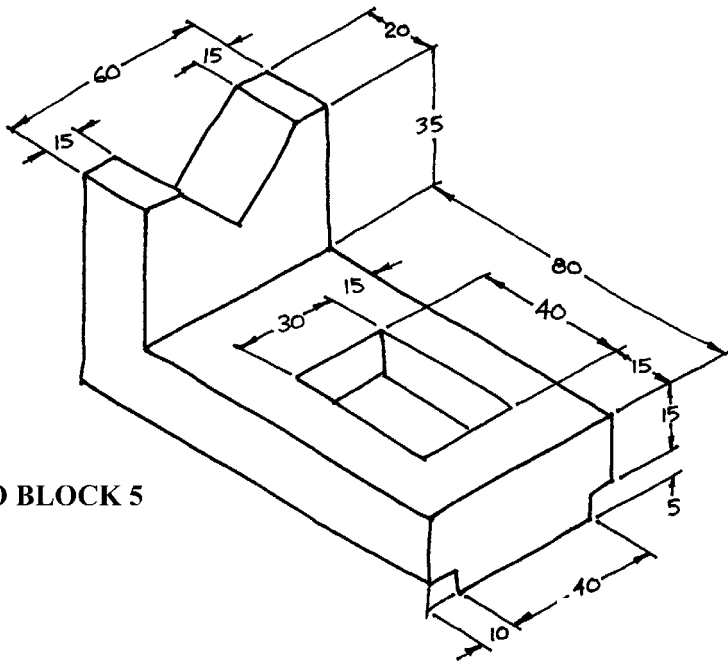
Orthographic Projection Drawing 4, 5, 6

Sketch three views of the **Ortho Blocks** on graph paper. The object should be drawn full size. Leave a space of 40 mm between the views.

ORTHO BLOCK 4



ORTHO BLOCK 5



ORTHO BLOCK 6

