

Your Name
Date

Appendix 1
To Dragster Project

RUBBER BAND DRAGSTER RESEARCH

Include pictures of dragsters and any info or pictures that you can find rubber band vehicles.

List your sources at the bottom of the page.

Sources Cited

http://www.balloonhq.com/balloon_car/24.html

Your Name
Date

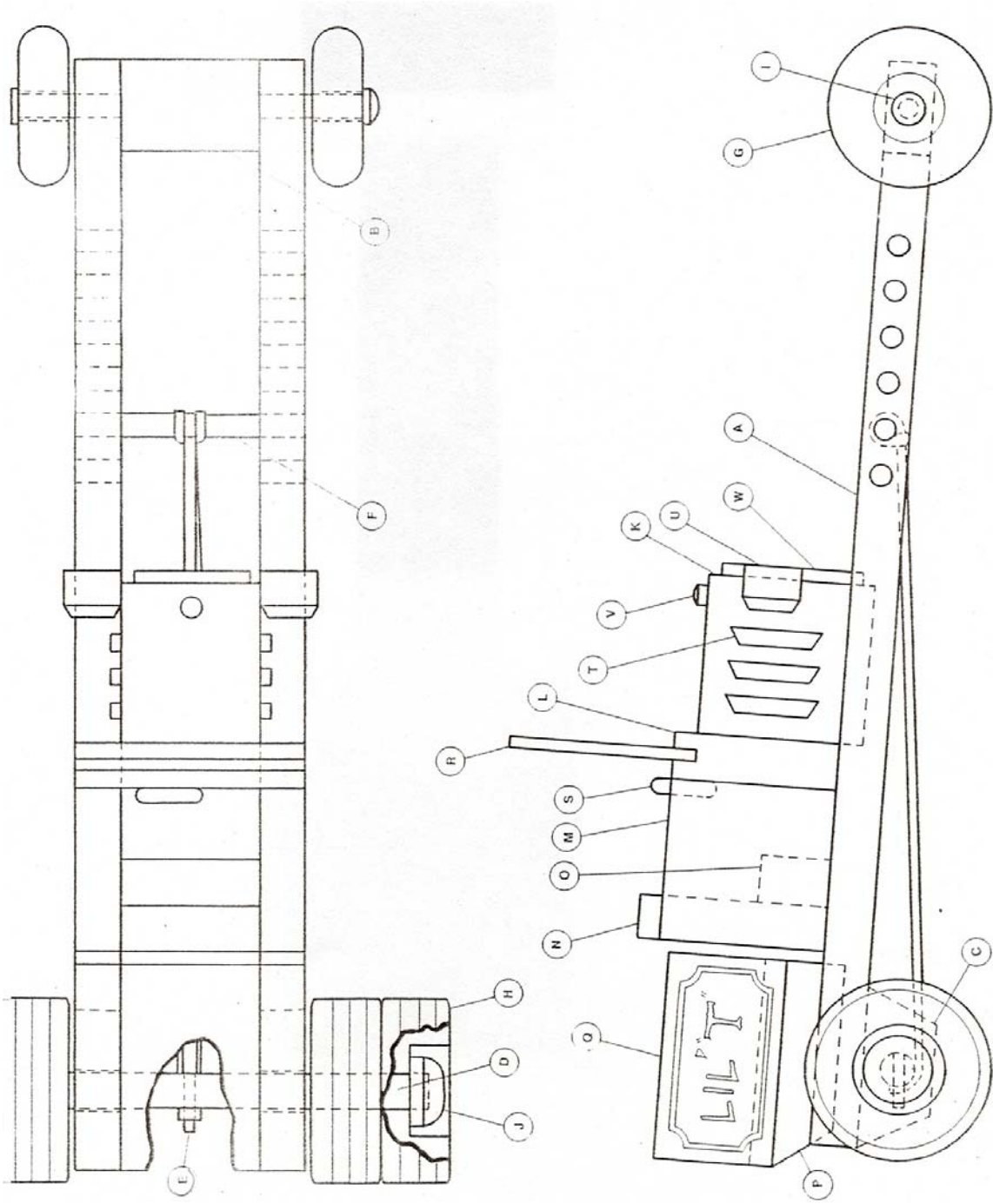
Appendix 2
To Dragster Project

RUBBER BAND DRAGSTER IDEA SKETCHES

Your Name
Date

Appendix 3
To Dragster Project

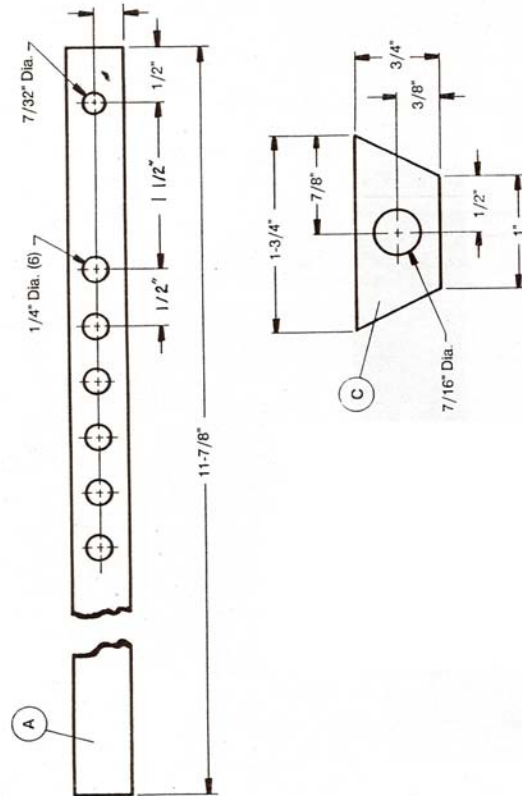
RUBBER BAND DRAGSTER WORKING DRAWINGS



Your Name
Date

Appendix 3
To Dragster Project

RUBBER BAND DRAGSTER WORKING DRAWINGS



BILL OF MATERIALS - COMMON PARTS

Item	Part	Size of Material	Qty.
A	Side Rail	1/2" x 1/2" x 11-7/8"	2
B	Front Spoiler	1/2" x 1" x 1-1/2"	1
C	Rear Axle Support	1/2" x 3/4" x 1-3/4"	2
D	Rear Axle	3/8" Dia. x 5-1/8"	1
E	Rear Axle Peg	1/8" Dia. x 5/8"	1
F	Rubber Band Dowel	1/4" Dia. x 2-1/2"	1
G	*Front Wheel	1-3/4" Dia. x 9/16"	2
H	*Dual Wheel	2" Dia. x 1-1/2"	2
I	*Axle Peg	7/32" Dia. x 1-1/8" Shank	2
J	*Axle Cap	3/8" Dia.	2
	*Traction Bands	#7333	2
	*Motor Drive Bands	#7332	1

BILL OF MATERIALS - LIL "T" BUCKET RACER

Item	Part	Size of Material	Qty.
K	Engine Block	1-1/2" x 1-3/4" x 1-3/4"	1
L	Fire Wall	1/2" x 1-3/4" x 2-1/2"	1
M	Doors	1/2" x 1-3/4" x 1-3/4"	2
N	Back	1/2" x 1-1/2" x 2"	1
O	Seat	1/2" x 3/4" x 1-1/2"	1
P	Bed	7/8" x 1-1/2" x 2-1/4"	1
Q	Bed Sides	1/2" x 1-1/4" x 2-1/4"	2
R	Wind Screen	1/8" x 2" x 2-1/2" Plexi	1
S	*Steering Wheel	3/4" Dia. x 3/16"	1
T	Vents	1/8" x 3/16" x 1"	6
U	Headlights	5/8" Dia. x 1/2"	2
V	*Radiator Cap	1/4" Rd. Hd. Scr. Plg.	1
W	Grill	1/8" x 1-1/4" x 1-1/2"	1

*Available from your project plan supplier.

